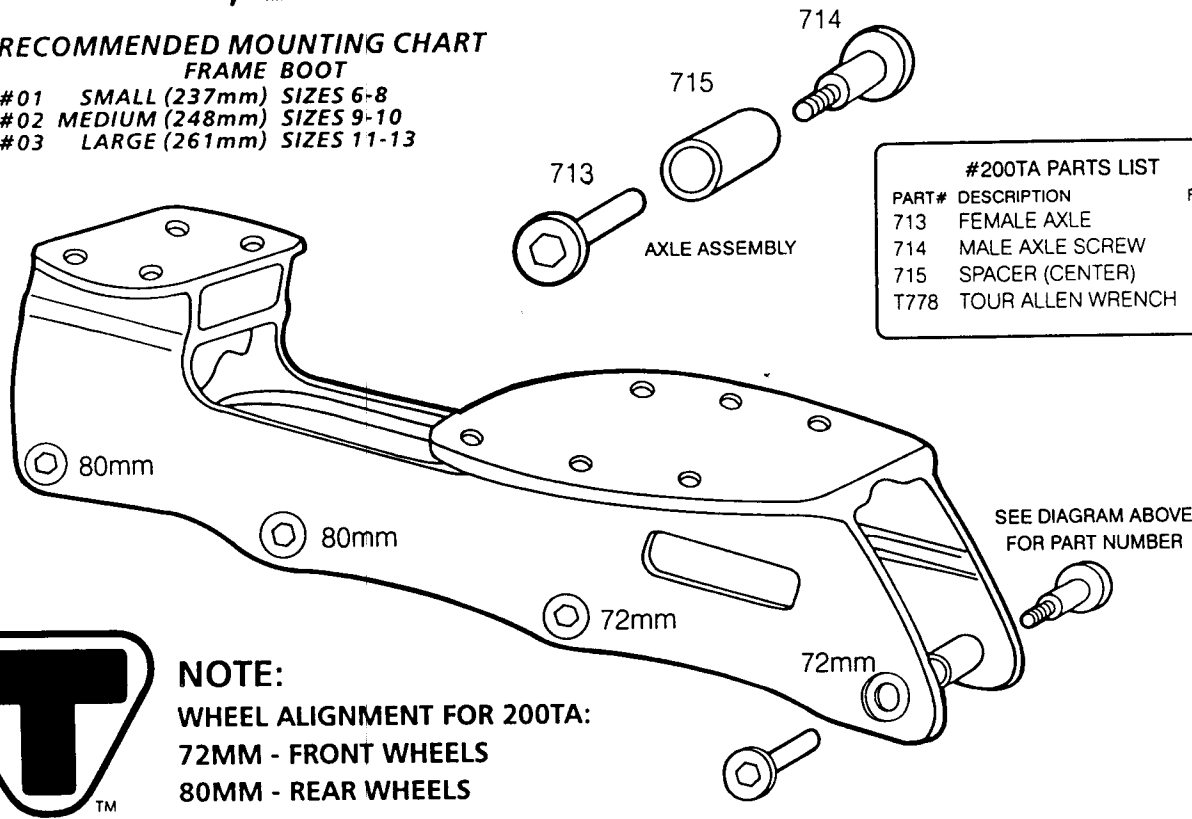




BI-LEVEL - MODEL# 850TA
ADULT SIZES 6-13

RECOMMENDED MOUNTING CHART
FRAME BOOT

- #01 SMALL (237mm) SIZES 6-8
- #02 MEDIUM (248mm) SIZES 9-10
- #03 LARGE (261mm) SIZES 11-13



#200TA PARTS LIST		
PART#	DESCRIPTION	PRICE
713	FEMALE AXLE	1.50
714	MALE AXLE SCREW	0.70
715	SPACER (CENTER)	.65
T778	TOUR ALLEN WRENCH	2.00



NOTE:
WHEEL ALIGNMENT FOR 200TA:
72MM - FRONT WHEELS
80MM - REAR WHEELS

TOUR HOCKEY • 311 W. EDWARDS ST. • LITCHFIELD, IL 62056 • FAX(217) 324-2213

WARRANTY: 120 days from purchase date. Defective parts must be returned to TOUR, along with original sales receipt, TOUR HOCKEY reserves the right to repair or replace defective parts. Due to the nature of the sport, bent frames are not considered to be defective.

TOUR 850 BI-LEVEL ADULT FRAME PARTS ORDER

Orders must be mailed or faxed to Tour Hockey (NO PHONE ORDERS ACCEPTED)
 TOUR HOCKEY • 311 W. Edwards St. • Litchfield, IL 62056 • Fax 217-324-2213
 We recommend that you check with your local dealer before ordering from TOUR.

ITEM#	DESCRIPTION	COST (ea)	QUANTITY	TOTAL
713	FEMALE AXLE	1.50		
714	MALE AXLE SCREW	.70		
715	SPACER (CENTER)	.65		
T778	TOUR ALLEN WRENCH	2.00		

All sales must be paid by check or MasterCard or Visa.

Illinois residents add 6.25% sales tax

MC or Visa #: _____

shipping & handling \$3.00

Signature: _____ Exp. Date: _____

TOTAL

SHIP TO: _____

Address: _____

City: _____ State: _____ Zip: _____

Phone: _____ Date: _____

Orders must be mailed or faxed (NO PHONE ORDERS ACCEPTED)

TOUR • 311 W. Edwards St.
Litchfield, IL 62056
Fax 217-324-2213

.. PLEASE ALLOW 2 TO 4 WEEKS FOR DELIVERY ..