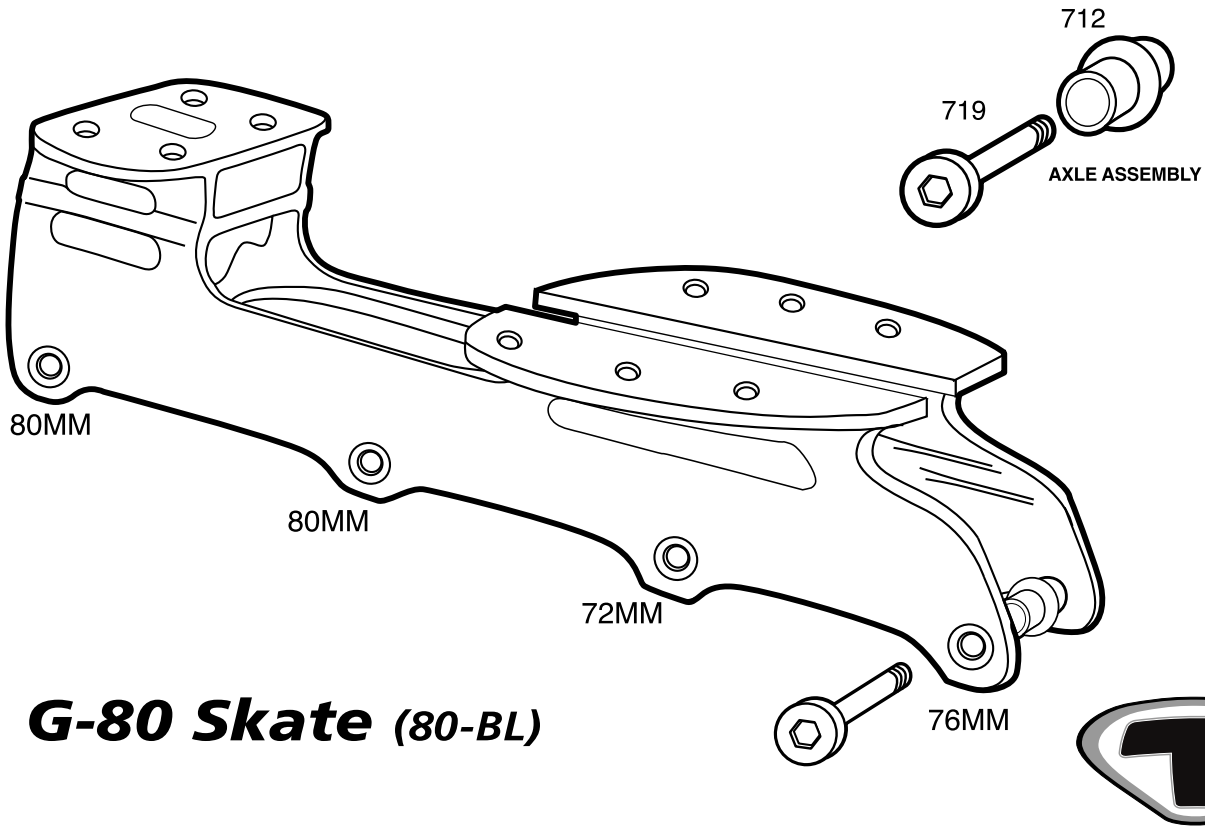




LABEDA™ SENSOR™ FRAME



G-80 Skate (80-BL)

WARRANTY: 120 days from purchase date. Defective parts must be returned to TOUR, along with original sales receipt, TOUR HOCKEY reserves the right to repair or replace defective parts. Due to the nature of the sport, bent frames are not considered to be defective.

FRAME PARTS ORDER FORM

Orders must be mailed or faxed to Tour Hockey (NO PHONE ORDERS ACCEPTED)
 TOUR HOCKEY • P.O. Box 930 • Litchfield, IL 62056 • Fax 217-324-2213

We recommend that you check with your local dealer before ordering from TOUR.

ITEM#	DESCRIPTION	COST (ea)	QUANTITY	TOTAL
608B7	BEARING - ABEC 7	3.00		
719	ONE PIECE AXLE	2.25		
712	BEARING SPACER <small>Self Centering</small>	1.50		
T778	TOUR ALLEN WRENCH	2.00		
BH7278CW	72MM Gripper Lite™	10.00		
BH7678CW	76MM Gripper Lite™	10.00		
BH8078CW	80MM Gripper Lite™	10.00		

All sales must be paid by check or MasterCard or Visa.

Illinois residents add 6.75% sales tax

MC or Visa #: _____

shipping & handling

\$5.00

Signature: _____ Exp. Date: _____

TOTAL

SHIP TO: _____

Address: _____

City: _____ State: _____ Zip: _____

Phone: _____ Date: _____

Orders must be mailed or faxed (NO PHONE ORDERS ACCEPTED)

**TOUR • P.O. Box 930
 Litchfield, IL 62056
 Fax 217-324-2213**

•• PLEASE ALLOW 2 TO 4 WEEKS FOR DELIVERY ••