

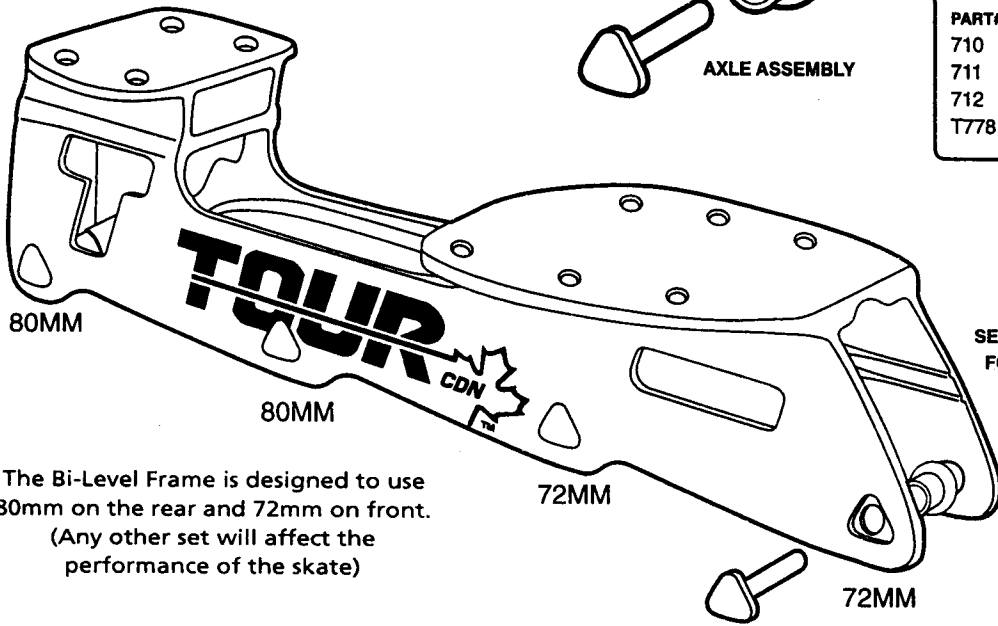


BI-LEVEL, 7000 SERIES

MODEL #700 BL

RECOMMENDED MOUNTING CHART

	FRAME	BOOT
#01	SMALL (237mm)	SIZES 5-8
#02	MEDIUM (245mm)	SIZES 8 1/2-10
#03	LARGE (261mm)	SIZES 10 1/2-12



FRAME MODEL # 700BL

PARTS LIST		
PART#	DESCRIPTION	PRICE
710	FEMALE AXLE	1.50
711	MALE AXLE SCREW	0.70
712	BEARING SPACER	1.50
T778	TOUR ALLEN WRENCH	2.00

The Bi-Level Frame is designed to use 80mm on the rear and 72mm on front. (Any other set will affect the performance of the skate)

TOUR HOCKEY FRAMES • P.O. BOX 930 • LITCHFIELD, IL 62056 • FAX (217) 324-2213

WARRANTY: 120 days from purchase date. Defective parts must be returned to TOUR, along with original sales receipt, TOUR HOCKEY reserves the right to repair or replace defective parts.

TOUR BI-LEVEL FRAME PARTS ORDER FORM

Orders must be mailed or faxed to Tour Hockey (NO PHONE ORDERS ACCEPTED)
TOUR HOCKEY • P.O. Box 930 • Litchfield, IL 62056 • Fax 217-324-2213

We recommend that you check with your local dealer before ordering from TOUR.

ITEM#	DESCRIPTION	COST (ea)	QUANTITY	TOTAL
710	FEMALE AXLE	1.50		
711	MALE AXLE SCREW	.70		
712	BEARING SPACER <small>Self Centering</small>	1.50		
T778	TOUR ALLEN WRENCH	2.00		

All sales must be paid by check or MasterCard or Visa.

Illinois residents add 6.25% sales tax

MC or Visa #: _____

shipping & handling

6.25

Signature: _____ Exp. Date: _____

TOTAL

SHIP TO: _____

Address: _____

City: _____ State: _____ Zip: _____

Phone: _____ Date: _____

Orders must be mailed or faxed (NO PHONE ORDERS ACCEPTED)

TOUR • P.O. Box 930
Litchfield, IL 62056