

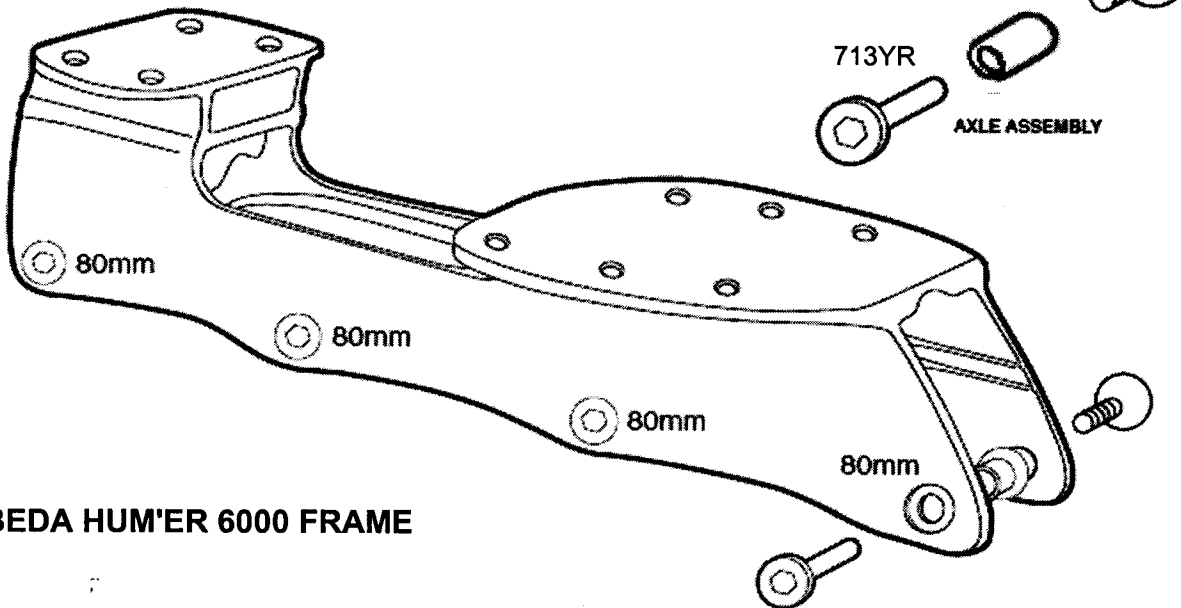


CODE RED MODEL# 67TA

SIZES 3-4 have 72MM wheels

SIZES 5-6 have 76MM wheels

SIZES 7-13 have 80MM wheels



LABEDA HUM'ER 6000 FRAME

TOUR HOCKEY • P.O. BOX 930 • LITCHFIELD, IL 62056 • FAX (217) 324-2213

WARRANTY: 120 days from purchase date. Defective parts must be returned to TOUR, along with original sales receipt, TOUR HOCKEY reserves the right to repair or replace defective parts. Due to the nature of the sport, bent frames are not considered to be defective.

CODE RED MODEL# 67TA FRAME PARTS ORDER

Orders must be mailed or faxed to TOUR HOCKEY (NO PHONE ORDERS ACCEPTED)

TOUR HOCKEY * P.O. BOX 930 * LITCHFIELD, IL 62056 * FAX (217) 324-2213

We recommend that you check with your local dealer before ordering from TOUR.

Part #	Description	Cost (ea)	Qty	Total
713YR	Female Axle	\$1.50		
714YR	Male Axle Screw	\$0.70		
727	Bearing Spacer	\$1.00		
T778	Tour Allen Wrench	\$2.00		
BH7276CG	72mm LABEDA USA Wheel	\$10.00		
BH7676CG	76mm LABEDA USA Wheel	\$10.00		
BH8076CG	80mm LABEDA USA Wheel	\$10.00		
688B7	ABEC-7 Mini Bearing	\$2.50		

All orders must be paid by check, Visa, or Mastercard prior to shipment

CA residents add 8.25% tax

IL residents add 6.75% tax

PA residents add 6% tax

Subtotal

Tax

Shipping and Handling

\$6.25

TOTAL

Name: _____ Signature: _____ Phone: _____

Address: _____ City: _____ State: _____ Zip: _____

MC or Visa #: _____ Exp Date: _____