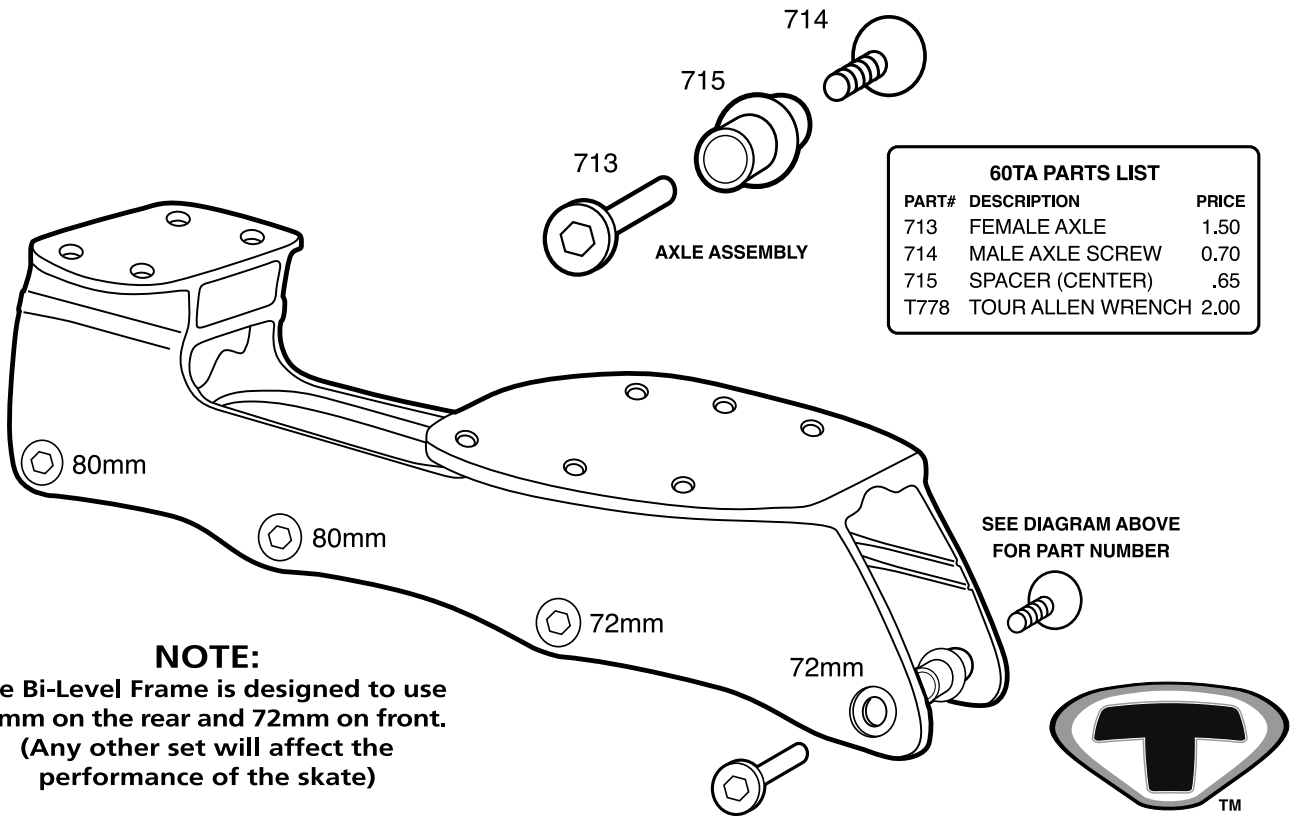




BI-LEVEL - MODEL# 60TA
SIZES 5-13



TOUR HOCKEY • P.O. Box 930 • Litchfield, IL 62056 • Fax 217-324-2213

WARRANTY: 120 days from purchase date. Defective parts must be returned to TOUR, along with original sales receipt, TOUR HOCKEY reserves the right to repair or replace defective parts. Due to the nature of the sport, bent frames are not considered to be defective.

TOUR G-60 BI-LEVEL ADULT FRAME PARTS ORDER

Orders must be mailed or faxed to Tour Hockey (NO PHONE ORDERS ACCEPTED)
TOUR HOCKEY • P.O. Box 930 • Litchfield, IL 62056 • Fax 217-324-2213
 We recommend that you check with your local dealer before ordering from TOUR.

ITEM#	DESCRIPTION	COST (ea)	QUANTITY	TOTAL
713	FEMALE AXLE	1.50		
714	MALE AXLE SCREW	.70		
715	BEARING SPACER <small>Self Centering</small>	1.50		
T778	TOUR ALLEN WRENCH	2.00		
BH7278PW	72MM Millennium Wheel	10.00		
BH8078PW	80MM Millennium Wheel	10.00		
608B5	ABEC-5 BEARING	2.00		

All sales must be paid by check or MasterCard or Visa.

Illinois residents add 6.75% sales tax

MC or Visa #:

shipping & handling

\$5.00

Signature:

Exp. Date:

TOTAL

SHIP TO:

Address:

City:

State:

Zip:

Phone:

Date:

Orders must be mailed or faxed (NO PHONE ORDERS ACCEPTED)

**TOUR • P.O. Box 930
 Litchfield, IL 62056
 Fax 217-324-2213**

•• PLEASE ALLOW 2 TO 4 WEEKS FOR DELIVERY ••