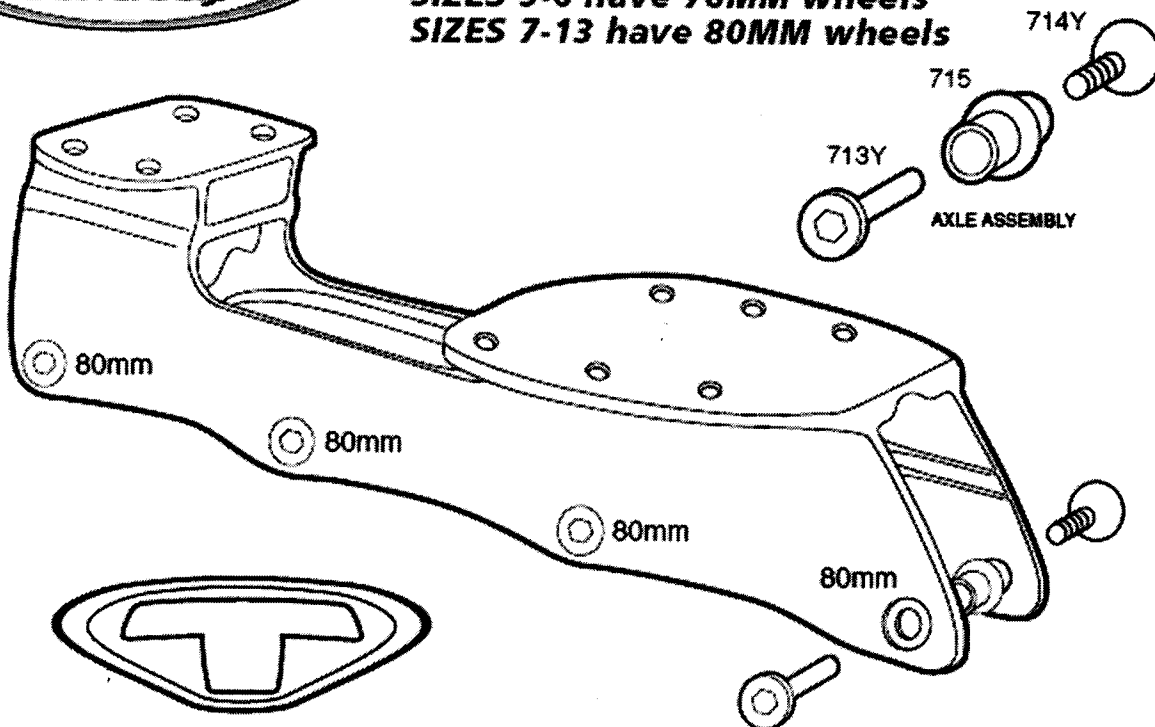


OMNI 800 MODEL# 47TA
SIZES 5-6 have 76MM wheels
SIZES 7-13 have 80MM wheels



TOUR HOCKEY • P.O. BOX 930 • LITCHFIELD, IL 62056 • FAX (217) 324-2213

WARRANTY: 120 days from purchase date. Defective parts must be returned to TOUR, along with original sales receipt, TOUR HOCKEY reserves the right to repair or replace defective parts. Due to the nature of the sport, bent frames are not considered to be defective.

OMNI 800 MODEL# 47TA FRAME PARTS ORDER

Orders must be mailed or faxed to TOUR HOCKEY (NO PHONE ORDERS ACCEPTED)

TOUR HOCKEY * P.O. BOX 930 * LITCHFIELD, IL 62056 * FAX (217) 324-2213

We recommend that you check with your local dealer before ordering from TOUR.

Part #	Description	Cost (ea)	Qty	Total
713Y	Female Axle	\$1.50		
714Y	Male Axle Screw	\$0.70		
715	Spacer (Self Centering)	\$1.50		
T778	Tour Allen Wrench	\$2.00		
BH7678BE	76mm Extreme Wheel	\$5.00		
BH8078BE	80mm Extreme Wheel	\$6.00		
608B5	ABEC-5 Bearing	\$1.50		

All orders must be paid by check, Visa, or Mastercard prior to shipment

CA residents add 8.25% tax
 IL residents add 6.75% tax
 PA residents add 6% tax

Subtotal	
Tax	
Shipping and Handling	\$6.25
TOTAL	

Name: _____ Signature: _____ Phone: _____

Address: _____ City: _____ State: _____ Zip: _____

MC or Visa #: _____ Exp Date: _____