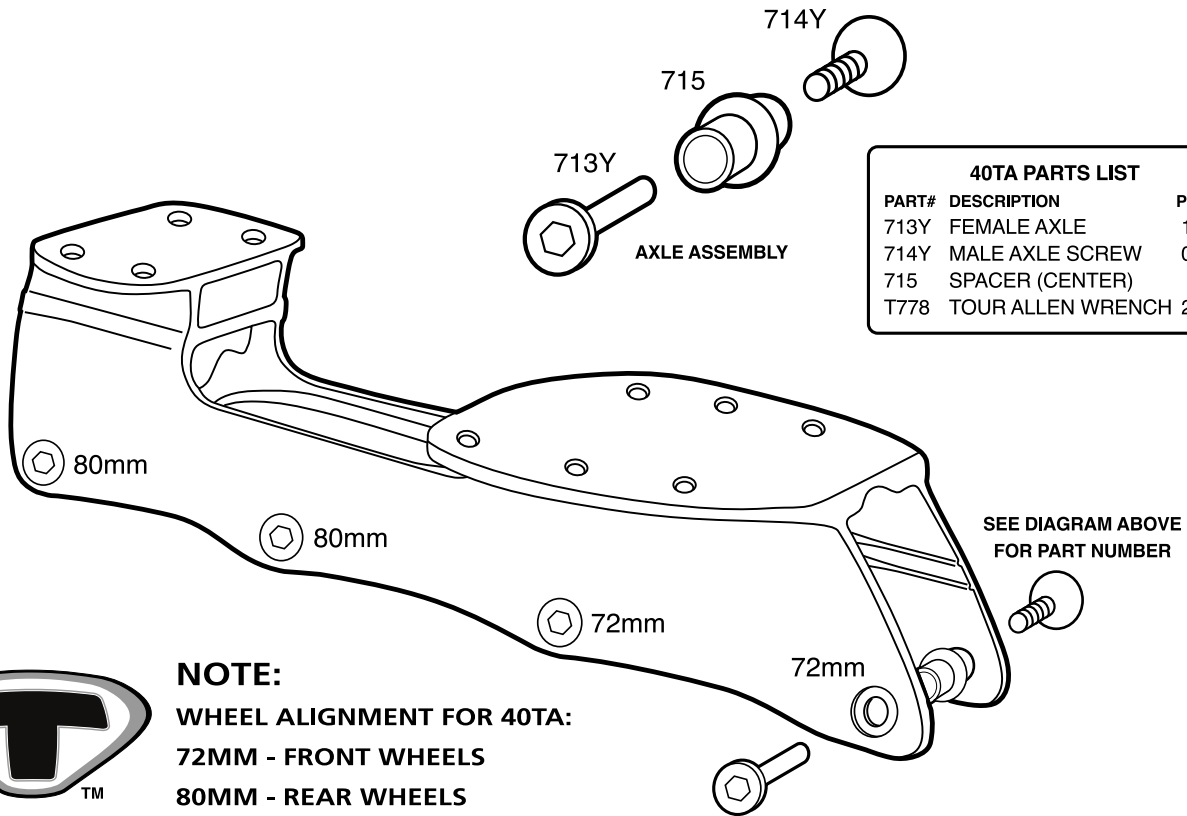




**BI-LEVEL - MODEL# 40TA**  
**SIZES 5-12**



**NOTE:**  
**WHEEL ALIGNMENT FOR 40TA:**  
**72MM - FRONT WHEELS**  
**80MM - REAR WHEELS**

TOUR HOCKEY • P.O. Box 930 • Litchfield, IL 62056 • Fax 217-324-2213

WARRANTY: 120 days from purchase date. Defective parts must be returned to TOUR, along with original sales receipt, TOUR HOCKEY reserves the right to repair or replace defective parts. Due to the nature of the sport, bent frames are not considered to be defective.

**TOUR G-40 BI-LEVEL ADULT FRAME PARTS ORDER**

Orders must be mailed or faxed to Tour Hockey (NO PHONE ORDERS ACCEPTED)  
**TOUR HOCKEY • P.O. Box 930 • Litchfield, IL 62056 • Fax 217-324-2213**  
 We recommend that you check with your local dealer before ordering from TOUR.

ITEM#	DESCRIPTION	COST (ea)	QUANTITY	TOTAL
713Y	FEMALE AXLE	1.50		
714Y	MALE AXLE SCREW	.70		
715	SPACER (CENTER)	.65		
T778	TOUR ALLEN WRENCH	2.00		
BH7275WB	72MM EXTREME WHEEL	4.00		
BH8075WB	80MM EXTREME WHEEL	5.00		
608B3	ABEC-3 BEARING	1.50		

All sales must be paid by check or MasterCard or Visa.

Illinois residents add 6.75% sales tax

MC or Visa #:

shipping & handling

\$5.00

Signature:

Exp. Date:

SHIP TO:

TOTAL

Address:

City:

State:

Zip:

Phone:

Date:

**Orders must be mailed or faxed (NO PHONE ORDERS ACCEPTED)**

**TOUR • P.O. Box 930  
 Litchfield, IL 62056  
 Fax 217-324-2213**

• • PLEASE ALLOW 2 TO 4 WEEKS FOR DELIVERY • •