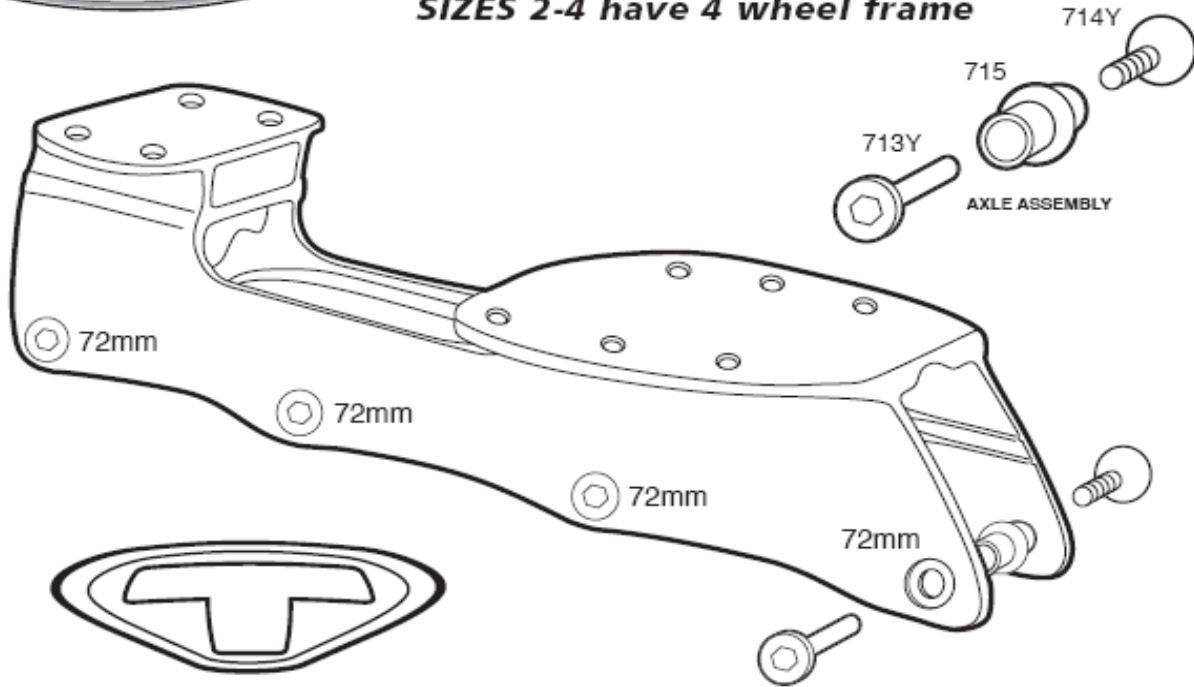




# OMNI 600 MODEL# 37TY

SIZES 12-1 have 3 wheel frame  
 SIZES 2-4 have 4 wheel frame



TOUR HOCKEY • P.O. BOX 930 • LITCHFIELD, IL 62056 • FAX (217) 324-2213

WARRANTY: 120 days from purchase date. Defective parts must be returned to TOUR, along with original sales receipt, TOUR HOCKEY reserves the right to repair or replace defective parts. Due to the nature of the sport, bent frames are not considered to be defective.

## OMNI 600 MODEL# 37TY FRAME PARTS ORDER

Orders must be mailed or faxed to TOUR HOCKEY (NO PHONE ORDERS ACCEPTED)

TOUR HOCKEY \* P.O. BOX 930 \* LITCHFIELD, IL 62056 \* FAX (217) 324-2213

We recommend that you check with your local dealer before ordering from TOUR.

Part #	Description	Cost (ea)	Qty	Total
713Y	Female Axle	\$1.50		
714Y	Male Axle Screw	\$0.70		
715	Spacer (Self Centering)	\$1.50		
T778	Tour Allen Wrench	\$2.00		
BH7278BE	72mm Extreme Wheel	\$4.00		
608B5	ABEC-5 Bearing	\$1.50		

All orders must be paid by check, Visa, or Mastercard prior to shipment

CA residents add 8% tax  
 IL residents add 7.25% tax  
 PA residents add 6% tax

Subtotal	
Tax	
Shipping and Handling	\$6.25
<b>TOTAL</b>	

Name: \_\_\_\_\_ Signature: \_\_\_\_\_ Phone: \_\_\_\_\_

Address: \_\_\_\_\_ City: \_\_\_\_\_ State: \_\_\_\_\_ Zip: \_\_\_\_\_

MC or Visa #: \_\_\_\_\_ Exp Date: \_\_\_\_\_