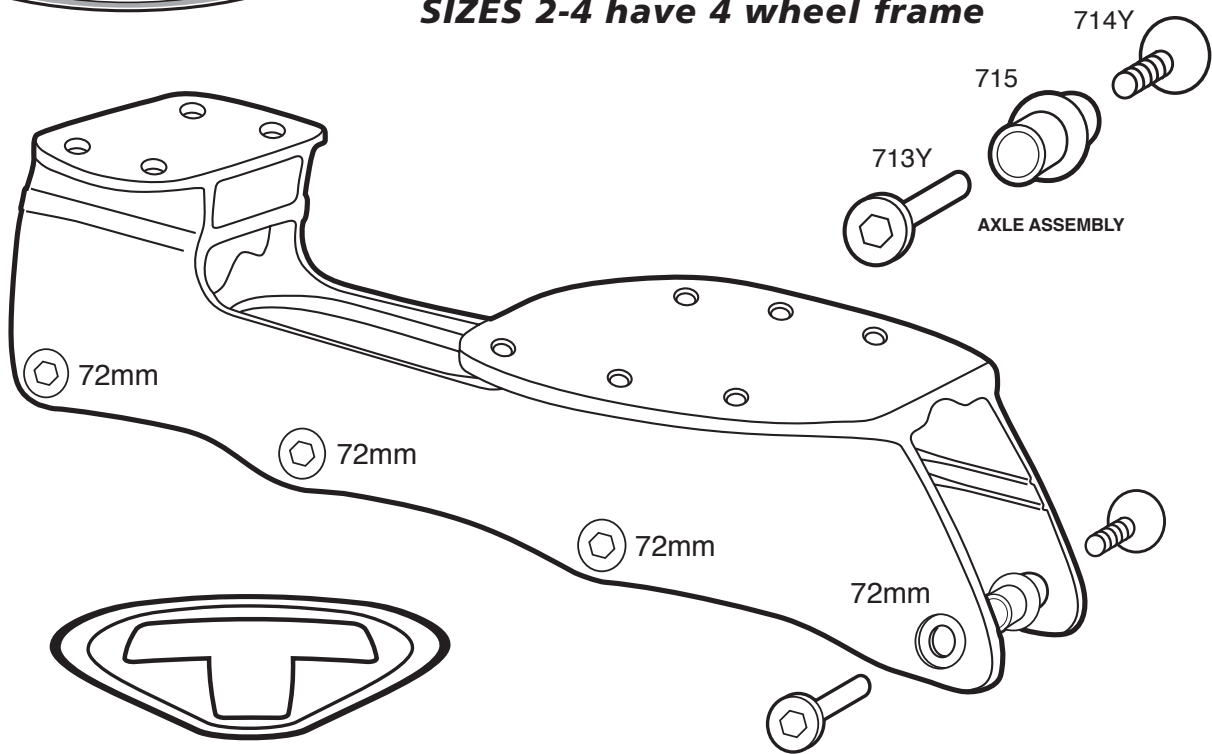




**MAX-500 - MODEL# 35TA**

**SIZES 12-1 have 3 wheel frame**  
**SIZES 2-4 have 4 wheel frame**



TOUR HOCKEY • P.O. BOX 930 • LITCHFIELD, IL 62056 • FAX (217) 324-2213

WARRANTY: 120 days from purchase date. Defective parts must be returned to TOUR, along with original sales receipt, TOUR HOCKEY reserves the right to repair or replace defective parts. Due to the nature of the sport, bent frames are not considered to be defective.

**TOUR MAX-500 MODEL# 35TA FRAME PARTS ORDER**

Orders must be mailed or faxed to Tour Hockey (NO PHONE ORDERS ACCEPTED)

TOUR HOCKEY • P.O. BOX 930 • Litchfield, IL 62056 • Fax 217-324-2213

We recommend that you check with your local dealer before ordering from TOUR.

ITEM#	DESCRIPTION	COST (ea)	QUANTITY	TOTAL
713Y	FEMALE AXLE	1.50		
714Y	MALE AXLE SCREW	.70		
715	SPACER (SELF CENTERING)	1.50		
T778	TOUR ALLEN WRENCH	2.00		
BH7278BE	72MM EXTREME WHEEL	4.00		
608B5	ABEC-5 BEARING	1.50		

All sales must be paid by check, MasterCard or Visa.

IL residents add 7.25% sales tax

MC or Visa #: \_\_\_\_\_

Signature: \_\_\_\_\_ Exp. Date: \_\_\_\_\_

SHIP TO: \_\_\_\_\_

Address: \_\_\_\_\_

City: \_\_\_\_\_ State: \_\_\_\_\_ Zip: \_\_\_\_\_

Phone: \_\_\_\_\_ Date: \_\_\_\_\_

•• PLEASE ALLOW 2 TO 4 WEEKS FOR DELIVERY ••

shipping & handling

\$6.25

TOTAL

Orders must be mailed or faxed  
 (NO PHONE ORDERS ACCEPTED)

TOUR • P.O. BOX 930  
 Litchfield, IL 62056 • Fax 217-324-2213