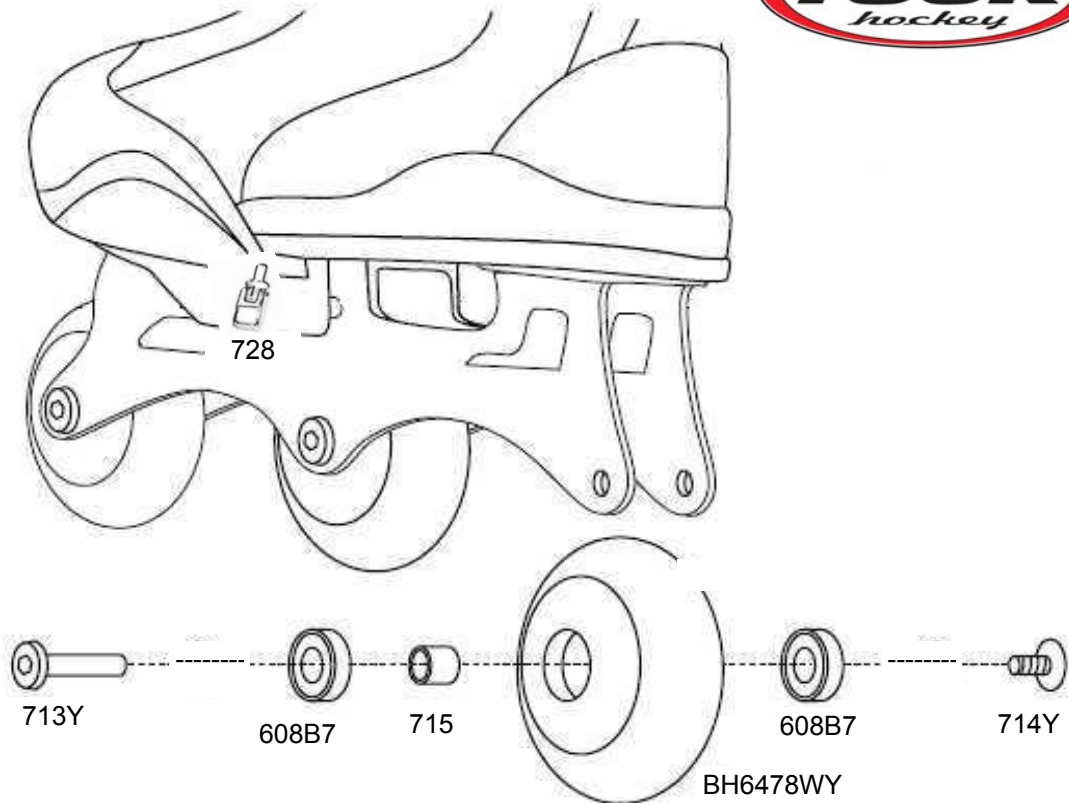


# ZT 660 Adjustable MODEL# 29TY

Small = 11-1  
Medium = 1-4



**WARRANTY:** 90 days from purchase date. Defective parts must be returned to TOUR, along with original sales receipt. TOUR HOCKEY reserves the right to repair or replace defective parts. Due to the nature of the sport, bent frames are not considered to be defective.

## ZT 660 MODEL# 29TY FRAME PARTS ORDER

Orders must be mailed or faxed to TOUR HOCKEY (NO PHONE ORDERS ACCEPTED)

TOUR HOCKEY \* P.O. BOX 930 \* LITCHFIELD, IL 62056 \* FAX (217) 324-2213

We recommend that you check with your local dealer before ordering from TOUR.

Part #	Description	Cost (ea)	Qty	Total
713Y	Female Axle	\$1.50		
714Y	Male Axle Screw	\$0.70		
715	Spacer (Self Centering)	\$1.50		
T778	Tour Allen Wrench	\$2.00		
728	Size Adjusting Screw	\$1.50		
BH6478WY	64mm White Impulse Wheel	\$2.50		
608B7	ABEC-7 Bearing	\$3.00		

All orders must be paid by check, Visa, or Mastercard prior to shipment

CA residents add 8% tax  
IL residents add 7.25% tax  
PA residents add 6% tax

Subtotal	
Tax	
Shipping and Handling	\$6.25
<b>TOTAL</b>	

Name: \_\_\_\_\_ Signature: \_\_\_\_\_ Phone: \_\_\_\_\_

Address: \_\_\_\_\_ City: \_\_\_\_\_ State: \_\_\_\_\_ Zip: \_\_\_\_\_

MC or Visa #: \_\_\_\_\_ Exp Date: \_\_\_\_\_