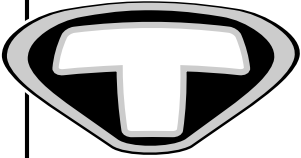
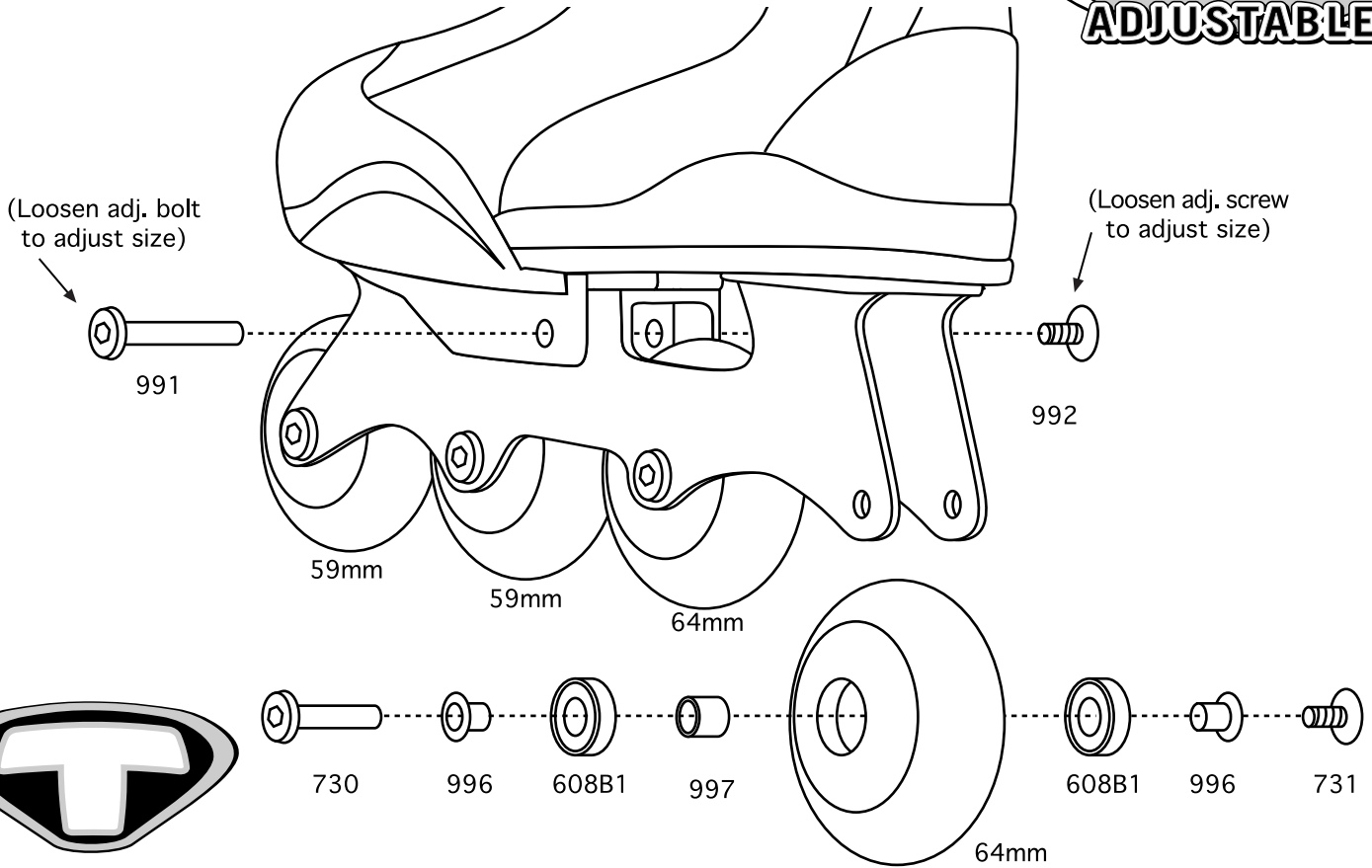




Bi-level - Model # 25TY



WARRANTY: 90 days from purchase date. Defective parts must be returned to TOUR, along with original sales receipt, TOUR HOCKEY reserves the right to repair or replace defective parts. Due to the nature of the sport, bent frames are not considered to be defective.

TOUR BI-LEVEL YOUTH FRAME PARTS ORDER

Orders must be mailed or faxed (NO PHONE ORDERS ACCEPTED)
 TOUR HOCKEY • 311 W. Edwards St • Litchfield, Il. 62056 • Fax 217-324-2213
 We recommend that you check with your local dealer before ordering from TOUR.

Part#	Description	Cost (ea.)	Quantity	Total
730	32mm Female Axle	0.40		
731	10mm Male Axle Screw	0.40		
996	Bearing Alignment Insert	0.12		
997	Bearing Spacer	0.12		
BH5975WB	59mm Wizard Wheel	3.00		
BH6475WB	64mm Wizard Wheel	3.00		
608B1	Bearing - ABEC-1	1.00		
991	43mm Adjustment Bolt	0.40		
992	10mm Male Abj. Screw	0.40		

All sales must be paid by check or MasterCard or Visa.

MC or Visa# _____
 Signature _____ Exp. Date _____
 Ship To _____
 Address _____
 City _____ State _____ Zip _____
 Phone _____ Date _____

III. residents add 6.75% sales tax

shipping & handling

Total

	5.00

Orders must be mailed or faxed (NO PHONE ORDERS ACCEPTED)

**TOUR HOCKEY • 311 W. Edwards St
 Litchfield, Il. 62056 Fax 217-324-2213**

** PLEASE ALLOW 2 TO 4 WEEKS FOR DELIVERY **