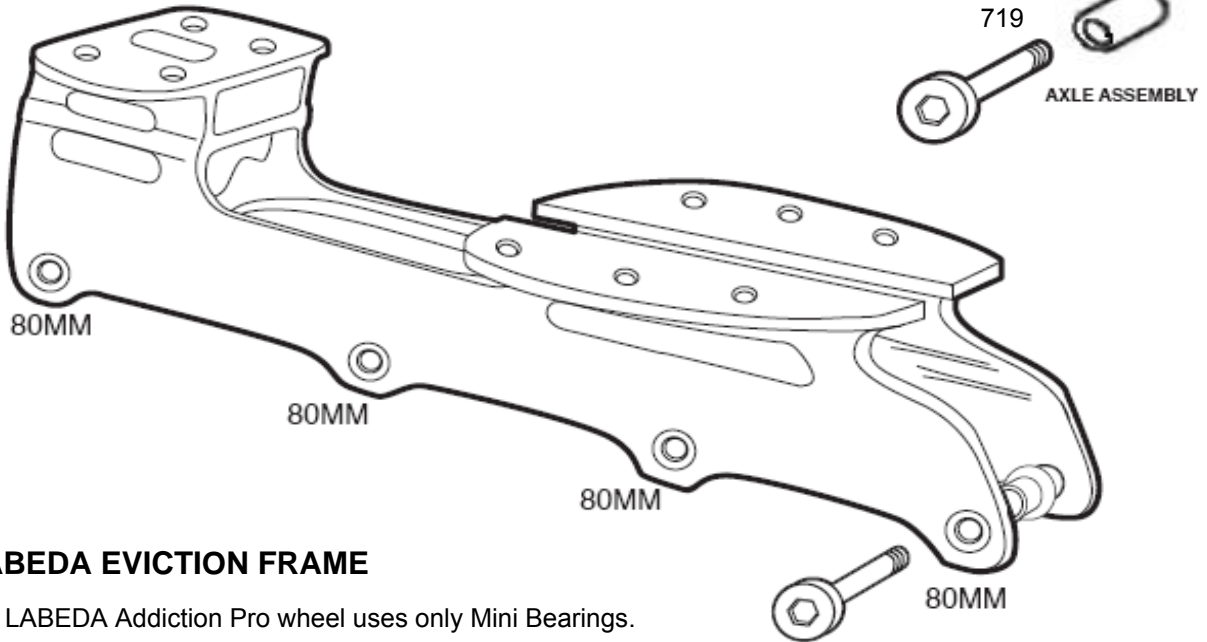




# THOR EX-1 MODEL# 103BLJ/103BL

Sizes 1-4 all 72mm Wheels  
 Sizes 5-6 all 76mm Wheels  
 Sizes 7-13 all 80mm Wheels



## LABEDA EVICTION FRAME

The LABEDA Addiction Pro wheel uses only Mini Bearings.

**WARRANTY:** 120 days from date of purchase (USA only). Defective skates or parts should be returned freight prepaid to Tour Hockey. Call (217) 324-3001 ext. 121 for Return Authorization. Original receipt must accompany all returns, no copies will be accepted. Tour Hockey reserves the right to repair or replace if product is found to be defective. Repaired or replaced product will be shipped freight prepaid back to sender (USA only). Due to nature of the sport, bent hockey frames are not be considered defective.

**SAFETY:** \* Recommended for indoor use only. \* This skate does not have a heel brake and therefore is recommended for experienced inline hockey players. Inexperienced skaters should not skate without adult supervision. \* The following protective gear should be worn while skating: helmet, shin guards, elbow guards, and gloves. Protective gear can reduce the risk of injury. \* All axles should be tightened prior to each use.

## THOR EX-1 MODEL# 103BLJ/103BL FRAME PARTS ORDER

Orders must be mailed or faxed to TOUR HOCKEY (NO PHONE ORDERS ACCEPTED)

TOUR HOCKEY \* 311 W. EDWARDS ST. \* LITCHFIELD, IL 62056 \* PHONE (217) 324-3001 \* FAX (217) 324-2213 \*  
[www.tourhockey.com](http://www.tourhockey.com)

We recommend that you check with your local dealer before ordering from TOUR.

Part #	Description	Cost (ea)	Qty	Total
719	One Piece Axle	\$2.25		
727	Bearing Spacer	\$1.00		
T778	Tour Allen Wrench	\$2.00		
BH7278ACM	72mm LABEDA Addiction Pro Wheel	\$15.00		
BH7678ACM	76mm LABEDA Addiction Pro Wheel	\$15.00		
BH8078ACM	80mm LABEDA Addiction Pro Wheel	\$15.00		
688BSM	Bearing Swiss Elite Mini	\$4.00		

All orders must be paid by check, Visa, or Mastercard prior to shipment

CA residents add 8% tax  
 IL residents add 7.25% tax  
 PA residents add 6% tax

Subtotal	
Tax	
Shipping and Handling	\$6.25
<b>TOTAL</b>	

Name: \_\_\_\_\_ Signature: \_\_\_\_\_ Phone: \_\_\_\_\_

Address: \_\_\_\_\_ City: \_\_\_\_\_ State: \_\_\_\_\_ Zip: \_\_\_\_\_

MC or Visa #: \_\_\_\_\_ Exp Date: \_\_\_\_\_